

Regent pumps

A U S T R A L I A

founded 1948

RPVTP Series Vertical Turbine Pumps



Groundwater

River water

Seawater

Process Water

Effluent



..... all about moving fluids

Regent **RPVTP Series**

Vertical Turbine Pumps

Regent Pumps Vertical Turbine Pumps has a wide ranging applications .
Typical application include:-

- ❖ Water Treatment Plants
- ❖ Water Well
- ❖ Steel Mill
- ❖ Fire Pump – Meets NFPA 20
- ❖ Off-shore Platform
- ❖ Coal and Copper Mining
- ❖ Paper and Pulp
- ❖ Municipal Water Supply



DESIGN FEATURES

- Single or multistage pump with centrifugal or mixed-flow
- Designed for high pressure
- Enclosed or semi-open impeller design to suit applications
- Right Angle Gear Box to suit Engine driven or Electric Motor
- Variety of material options to ensure the selection of a pump best suit for the environments, high efficiency, reliability and cost effective.

Operating Parameters

Flows up to 4,000 m³/h

Heads up to 380 metres.

Temperature up to 200°C

Pump Construction - Materials

Part	Materials	Part	Materials
Suction Bell	Cast Iron*	Shaft	SS416/SS420 *
Diffuser	Cast Iron*	Discharge Head	Carbon Steel *
Impeller	SS304/SS316 *	Bearings	Teflon
Column Pipe	Carbon Steel *	Motor / Gear Box Riser	Cast iron / Carbon Steel *

* Other materials available on request

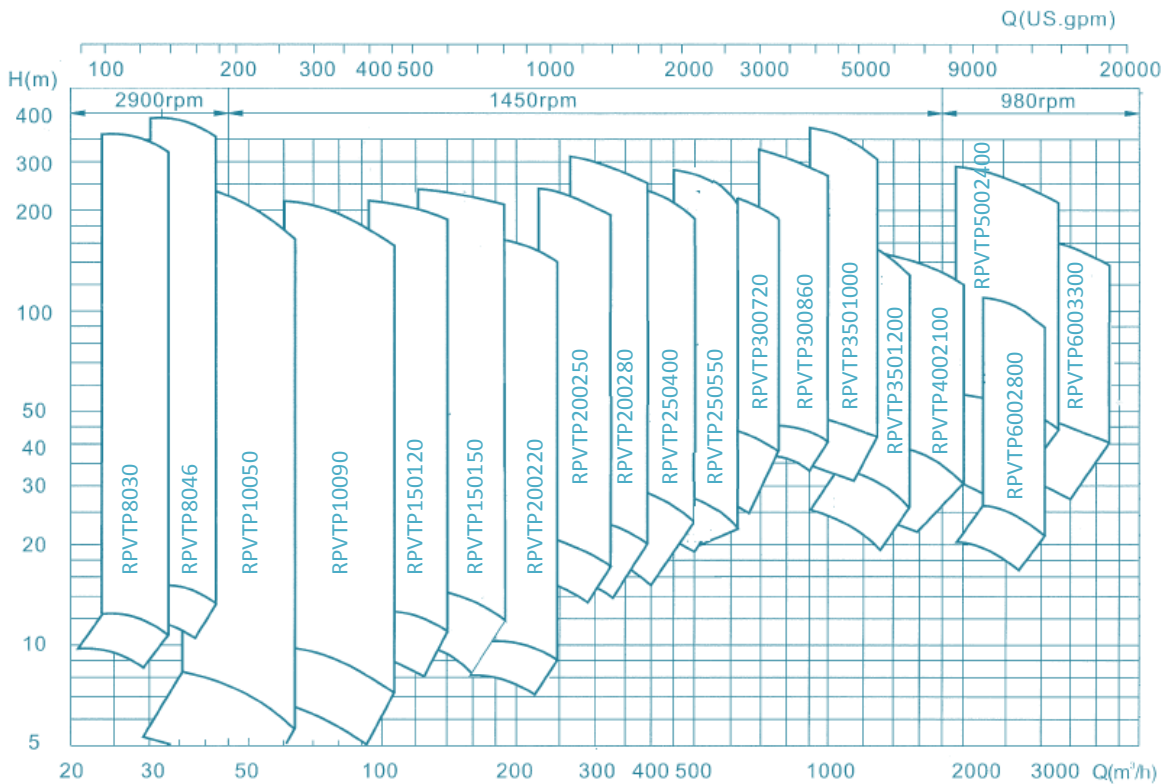
Regent **RPVTP Series** Vertical Turbine Pumps

Selection Charts

2 Pole Motor 50Hz (2900rpm)

4 Pole Motor 50Hz (1450rpm)

6 Pole Motor 50Hz (980rpm)

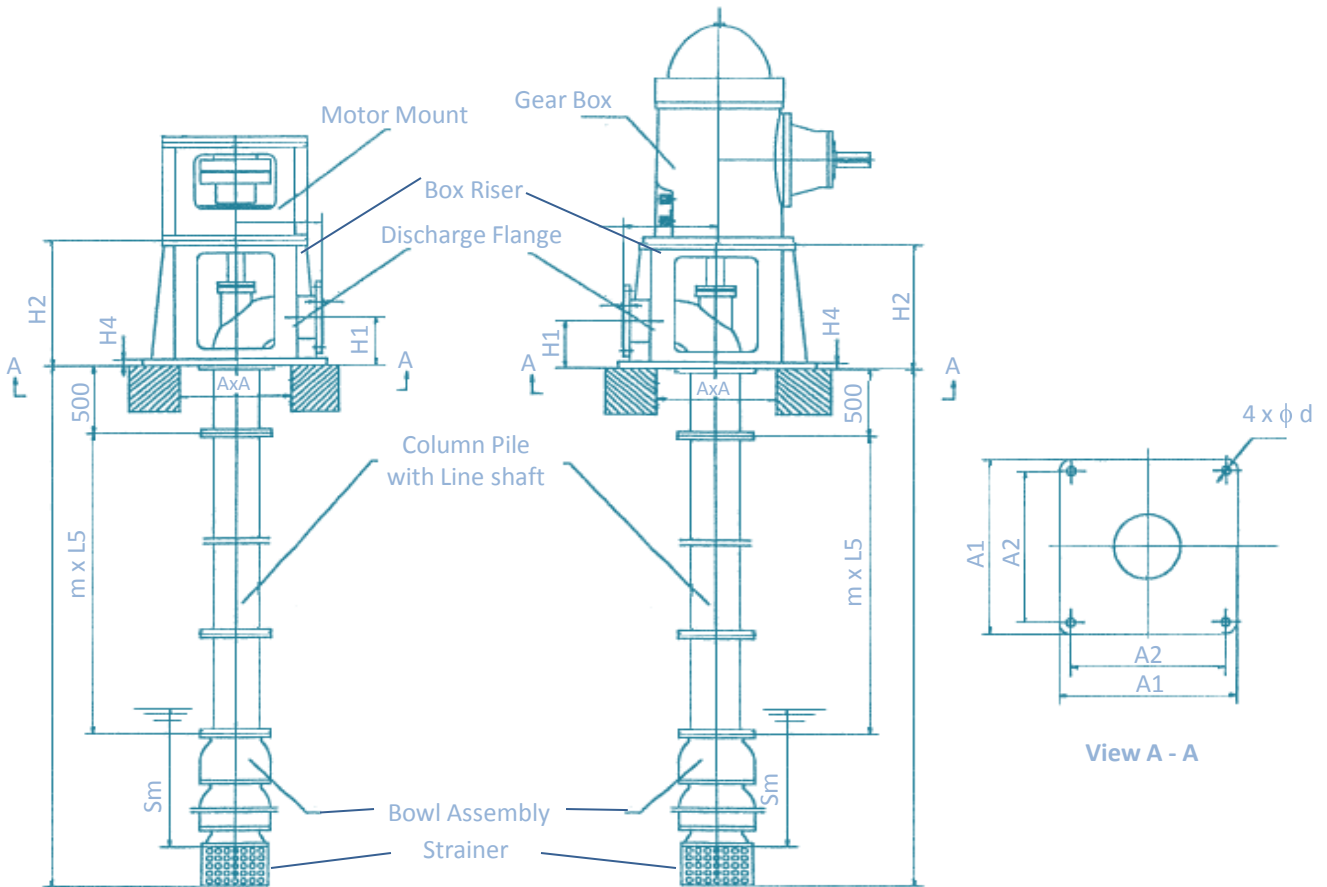


Note:

- Individual Pump Curve available on request
- Selection Chart for 60Hz Motor supply available on request.
- Pump / Driver (Electric Motor or Engine) package available on request
- Variable Speed Drive available on request

Regent RPVTP Series Vertical Turbine Pumps

Dimension Data with Discharge Below Ground



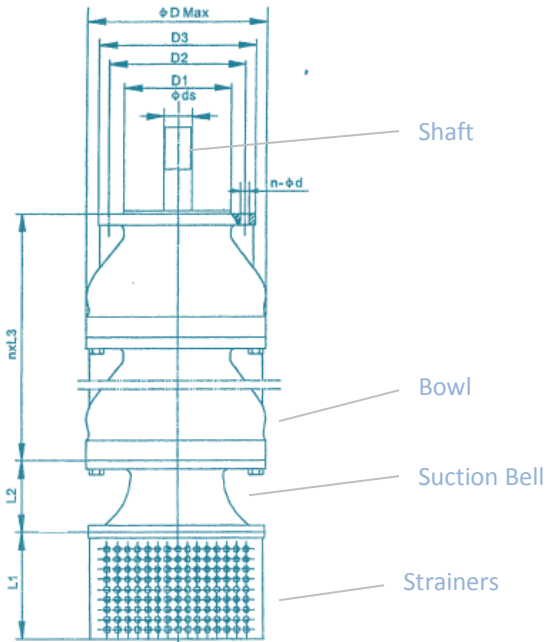
Dimensions Data

Model	A1	A2	d	H1	H2	H4	L5	B	Sm	A x A
RPVTP80	450	400	25	145	350	20	2000	2000 or 2500	250	300 x 300
RPVTP100	450	400	25	145	350	20	2000	2000 or 2500	300	300 x 300
RPVTP150	520	470	25	165	400	25	2000	2000 or 2500	350	380 x 380
RPVTP200	600	540	30	215	480	25	2000	2000 or 2500	400	480 x 480
RPVTP250	730	670	30	265	560	30	2500	2500	450	550 x 550
RPVTP300	830	770	30	320	640	35	2500	2500	500	650 x 650
RPVTP350	930	870	30	370	720	35	2500	2500	600	680 x 680
RPVTP400	1030	960	33	420	800	35	2500	2500	700	800 x 800
RPVTP450	1130	1060	33	470	880	40	2500	2500	800	1000 x 1000
RPVTP500	1230	1160	33	520	960	40	2500	2500	900	1000 x 1000
RPVTP600	1380	1310	33	620	1120	45	2500	2500	1000	1000 x 1000

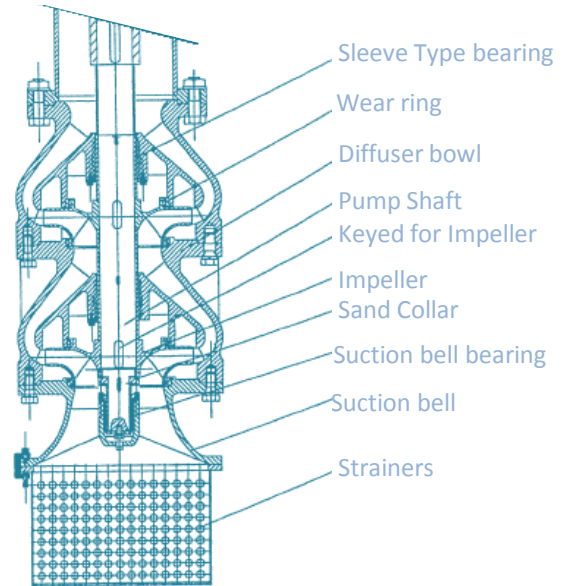
Note: Dimensions L & H is according to the custom requirement
Discharge Flange details shall be according to ISO, DIN, BS or ANSI

Regent RPVTP Series Vertical Turbine Pumps

Pump Bowl Assembly Outlines



Cross Sectional Pump Bowl Assembly



Dimensions Data

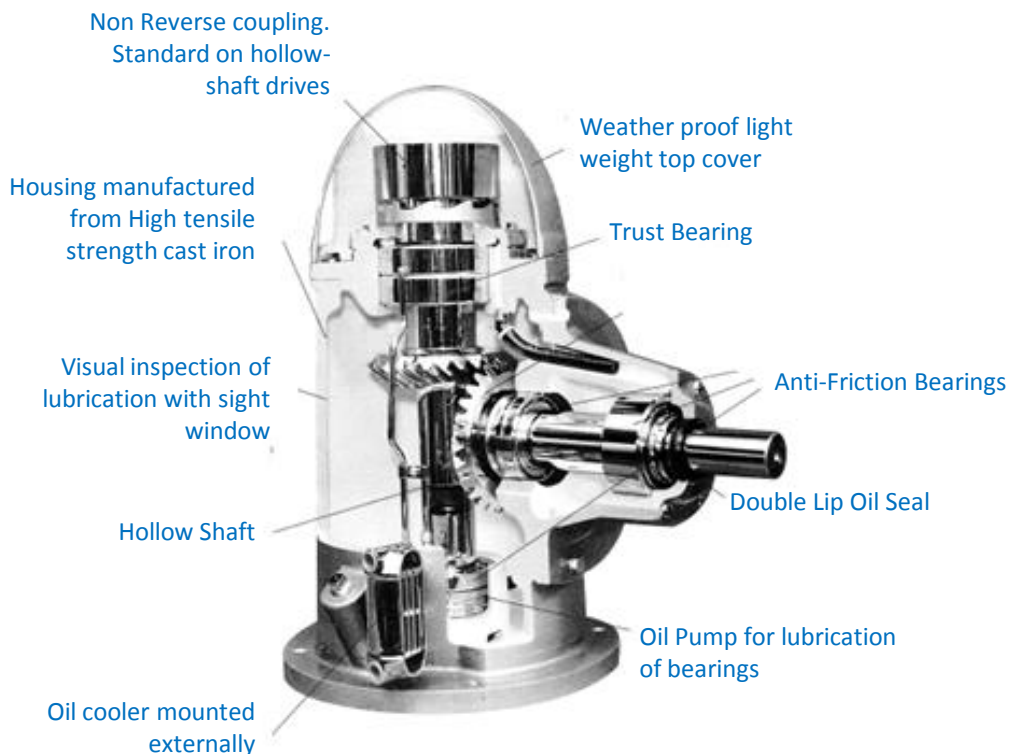
Model	$\phi D \text{ Max}$	L1	L2	L3	Max n	D1	D2	D3	ϕds	$n-\phi ds$
RPVTPP8030	133	200	80	90	34	132	160	200	22	8- $\phi 18$
RPVTP8046	144	200	80	100	23	132	160	200	22	8- $\phi 18$
RPVTP10050	245	260	80	185	20	130	168	200	20/30	8- $\phi 13.5$
RPVTPP10090	245	260	80	205	20	130	168	200	20/30	8- $\phi 13.5$
RPVTP150120	323	280	110	230	16	245	285	323	30/40	8- $\phi 18$
RPVTP150150	323	280	110	230	16	245	285	323	30/40	8- $\phi 18$
RPVTP200220	285	300	100	245	15	230	256	285	30/40	8- $\phi 18$
RPVTP200250	420	300	120	300	12	330	380	420	40/50/60	12- $\phi 22$
RPVTP200280	420	300	120	300	12	330	380	420	40/50/60	12- $\phi 22$
RPVTP250400	430	320	120	365	10	350	395	430	50/60/70	12- $\phi 22$
RPVTP250550	477	320	150	330	10	375	425	477	50/60/70	12- $\phi 22$
RPVTP300720	570	320	220	390	7	340	385	425	60/70/80	12- $\phi 22$
RPVTP300860	570	320	220	390	7	340	385	425	70/80/90	12- $\phi 22$
RPVTP3501200	525	320	230	600	5	420	480	525	60/70/80	16- $\phi 22$
RPVTP3501000	630	320	250	430	7	395	480	550	70/90/110	16- $\phi 33$
RPVTP4002100	550	320	230	600	5	440	500	550	70/90/110	16- $\phi 22$
RPVTP5002400	955	320	390	675	4	605	740	850	90/100/120	16- $\phi 30$
RPVTP6002800	720	320	350	940	4	620	740	850	80/100/110	16- $\phi 30$
RPVTP6003300	880	320	280	760	3	650	725	780	90/110/130	16- $\phi 30$

Regent RPVTP Series Vertical Turbine Pumps

Right Angle Gear Box

High Quality Right Angle Gearbox matching RPVTP 'Series Vertical Turbine Pumps when a Horizontal Driver is installed (Engine or Electric Motor)

Max Vertical Shaft Speed – 1760 rpm *
Max Horse power – 750 HP
Service factor – 1.5

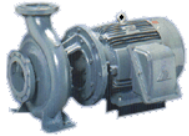


Note: * Speed over 1760rpm available on request

Regent **RPVTP Series**
Vertical Turbine Pumps

Note:

Other Regent Pumps Range



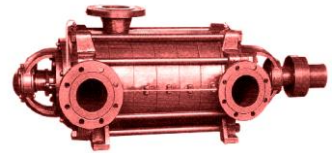
Dinbloc /ISObloc
Direct Coupled



Dinflow/ISOflow – Bare Shaft



Linebloc- DIN/ISO



RPTS-Single or Multiple outlets –
Horizontal Multistage Pump



Vertical In Line
Multistage Pump



RPZ – API 610



RPAH– Slurry Pump



Megaflo
Horizontal Split case



Self-Priming



RPAP - Submersible
Aerator



RPSP- Sewage Submersible
Pump



Engine Drive Fire Pumps



Trailer Pump Engine Driven

Regent Pumps – Wide Ranging Applications



- Agricultural Irrigation
- Water treatment / RO System
- Mining
- Oil & Gas
- Power Station
- Marine Fire Fighting to FiFi I, II & III
- Palm Oil
- Chemical Plants
- Commercial / Industrial Buildings / Factory
- Leisure Park / Fountains
- Site Drainage
- Public Utilities Pumping Stations
- Sewage Plants
- Food Industries
- Marine – sea water pumps

✓ Quality

✓ Quick Delivery

✓ Reliability

✓ Customer Specific Need

Available From

Regent Asia Pacific Pty. Ltd. Australia
Projects and International Sales Division

Tel: +61 (0) 3 97726742 Mob: +61 430 827 300

email: sales@regentap.com.au <http://regentap.com.au>